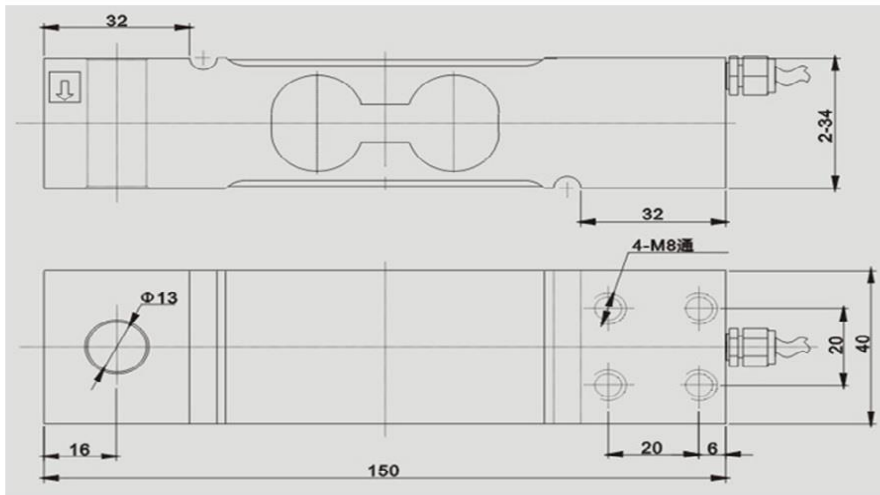


ItemNo: AMIC Loadcell



**技术参数 Technical parameter**

额定载荷Rated load:	60,100,150,250kg	工作温度范围Operating Temp Range:	-30~+70 ℃
灵敏度Sensitivity:	2.0±0.02mV/V	安全过载Safe load limit:	150 %F.S
综合误差Total error:	±0.03%F.S	极限过载Lateral load limit:	200 %F.S
蠕变 (30分钟) Creep(30min):	±0.03%F.S	推荐激励电压Recommend excitation:	10~12 V DC
零点平衡Zero balance:	±1 %F.S	最大激励电压Maximum excitation:	15 V DC
零点温度影响TCO:	±0.02%F.S/10℃	密封等级Protection Class:	IP67
输出温度影响TC SPAN:	±0.02%F.S/10℃	材质Construction:	铝合金Alum
输入阻抗Input resistance:	400 ±10 Ω	电缆Cable:	Length:6m
输出阻抗Output resistance:	352± 2 Ω		Diameter: φ
绝缘电阻Insulation resistance:	≥5000M Ω		Exc+(红,Red);Exc-(黑,Black);Sig+(绿,Green);Sig-(白,White)